

# STARFLEET/MACHINE

*L'EPEE 1839* by MB&F

USER INSTRUCTIONS





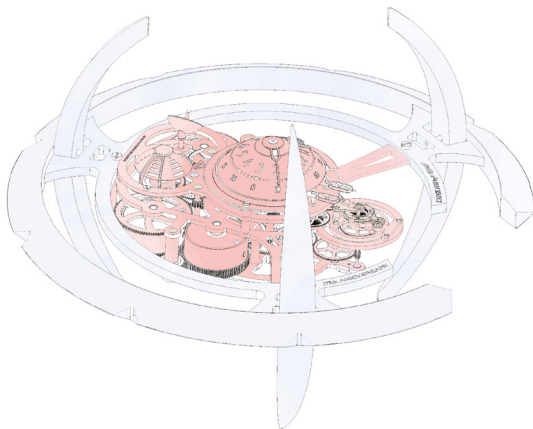
CONGRATULATIONS,  
YOU HAVE JUST ADOPTED YOUR STARFLEET MACHINE,  
ONE OF THE MOST ADVANCED TIMEPIECES CREATED  
FROM A PARTNERSHIP BETWEEN

LA MANUFACTURE L'ÉPÉE 1839 AND MB&F.

STARFLEET MACHINE HAS BEEN DEVELOPED WITH  
PASSION AND CARE BY OUR MASTER WATCHMAKERS  
IN DELÉMONT - SWITZERLAND.

**PLEASE, BE VERY CAREFUL TO NEVER TOUCH  
THE MOVEMENT OF THE STARFLEET MACHINE :  
RISK OF DAMAGE.**

On the following pictures,  
the only parts you should clean  
and touch with precautions are  
in blue;  
in case of intrusions, a service  
will be needed.



**NEVER TOUCH THE COMPONENTS  
COLORED IN RED IN THIS PICTURE.**

## CARE AND MAINTENANCE

Use only a soft and dry cloth to clean the clock. Dust and particles contained in the cloth could scratch parts. Do not use any kind of cleaning products to clean the clock. It is recommended to keep the clock distant from any source of heat or vibrations. Do not permanently expose the clock to direct sunlight.

Our clocks are developed to ensure optimal accuracy and reliability. It is well accepted for a fine mechanical clock to have a few seconds variation per day and our clocks are set so as not to delay. However if you should notice a wider variation, please contact an authorized dealer who will advise you, or a L'Épée 1839 technical support center which will proceed with the necessary adjustment.

As for all horological pieces of art, it is recommended to periodically service your clock. A mechanical masterpiece requires fine oils for the lubrication of the movement. These oils deteriorate over the years. We therefore advise having the movement overhauled every 5 years.

## PROTECTION OF THE CLOCK TRANSPARENT 'BIOSPHERE' DOME

Starfleet Machine comes with its own transparent biosphere dome, fitting over the top of the vessel's three graceful arcs.

The purpose of the dome is to protect the Starfleet Machine from potential environmental hazards incompatible with high-end clocks: dust and fingers!

Make sure the dome is on a flat surface to avoid dust to come from the bottom as dust will stick on oil and generate time delay.

Never touch the movement of the Starfleet Machine as a simple touch on certain pieces can generate delays in time that can only be resolved by servicing.

Fingerprints will also damage the palladium or Ruthenium coating.

## WINDING UP THE MOVEMENT

Place the clock upside down on a flat surface and wind up the movement (see point **A** on the following picture) anti-clockwise with the larger diameter hole of the key. The movement with its five barrels must be fully wound every 40 days. Be sure to wind up the spring completely, but without forcing it. During the process, you can see wheels moving to allow all five barrels to be wound up as they are coupled. At the end of the winding procedure, you will be able to feel the force increasing appreciably. Do not force as it is the sign that it is fully wound.

## SETTING THE TIME

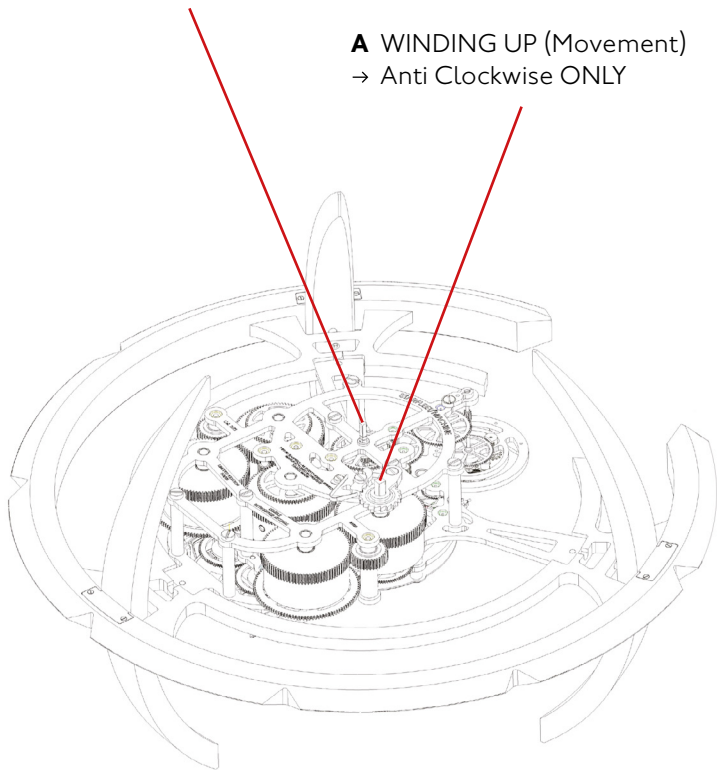
Place the clock upside down on a flat surface and wind up the movement (see point **B** on the following picture). Use the smaller diameter end of the key and turn the hand-setter anti-clockwise or clockwise to set the time.

**B TIME SETTING**

→ Anti-clockwise or clockwise

**A WINDING UP (Movement)**

→ Anti Clockwise ONLY





## THE POWER RESERVE INDICATORS

### I / Dome Power reserve indicator

A dome indicator, framed by a hand finished arc, provides an intuitive view of remaining energy as it turns 270 degrees: 5 bars, 4 bars, 3 bars, 2 bars, 1 bar (1 bar = 8 days).

Fully wound, the dome indicates five bars, and as it winds down, points gradually replace bars. When it indicates zero bar, the clock needs to be wound up.



Fully wound  
40-day power reserve

After 40 days  
the clock needs to be  
wound up

## THE POWER RESERVE INDICATORS

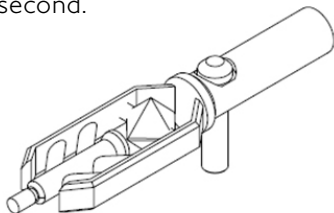
2 / «Radar Dish»

Revolves 270 degrees simultaneously with the Dome Power reserve



## THE DOUBLE RETROGRADE SECOND

The double retrograde second symbolized by two cannons, comes up rapidly from the central dome to be parallel and then cross over one another, before returning under the dome and flying out again on a cycle of 20 seconds. Make sure nothing touches the retrograde second.





L'EPÉE MANUFACTURE

RUE ST-MAURICE 1- P.O. BOX 973  
2800 DELÉMONT - SWITZERLAND

TEL. +41 (0)32 421 94 00

AFTER SALES SERVICES:

TEL. +41 (0)32 421 94 05

[WWW.LEPEE-CLOCK.CH](http://WWW.LEPEE-CLOCK.CH)