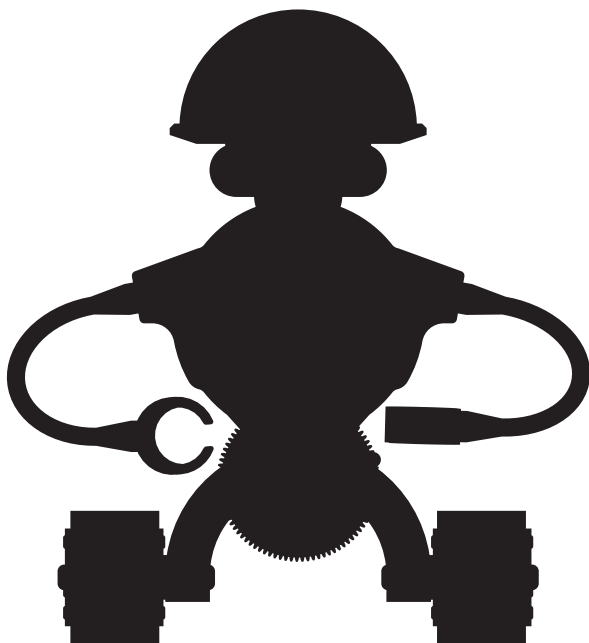


SHERMAN

USER INSTRUCTIONS



MB&F + *L'EPEE 1839*



CONGRATULATIONS

You have just acquired one of the most advanced time-pieces born from a partnership between

La Manufacture L'Épée 1839 and MB&F.

Sherman has been developed with passion and care by our Master Watchmakers in Delémont - Switzerland.



CONTENT

Important information	6
Care and maintenance	7
Winding the movement	8
Setting time	8
Sherman's arm	10
The two caterpillar tracks of Sherman	11
Cleaning the caterpillar tracks	11

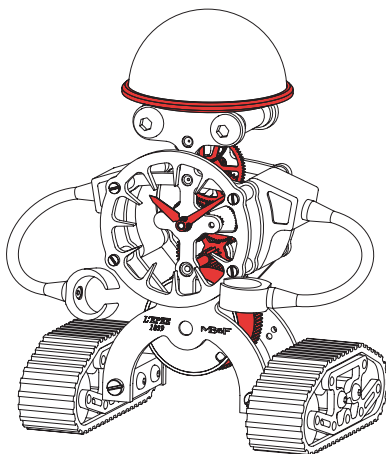
IMPORTANT INFORMATION

Please, be very careful to never touch the movement of Sherman either on the front, on the sides or on the back of the movement, except with the winding key.

Furthermore, the movement should never be in contact with any liquids – even in vaporized form. If it occurs, the clock should be serviced immediately.

A simple contact on certain pieces can generate delays in timekeeping, which can only be solved by servicing. Fingerprints will also damage the coating.

On the following picture, the only parts which can be cleaned and touched are those outside of the zone colored in red; in case of intrusions, a service will be needed.



CARE AND MAINTENANCE

Use only a soft and dry cloth to clean the clock. Dust and particles contained in the cloth could scratch parts. Do not use any kind of cleaning products to wipe the clock (except for the caterpillar tracks). It is recommended to keep the clock distant from any source of heat or vibrations. To preserve the longevity and functionality of Sherman, do not permanently expose the clock to direct sunlight or in a humid or dusty place.

Our clocks are developed to ensure optimal accuracy and reliability. It is well accepted for a fine mechanical clock to have a few seconds' variation per day and our clocks are set so as not to delay. However if you should notice a bigger variation, please contact an authorized dealer who will advise you, or a L'Épée 1839 technical support center which will proceed with the necessary adjustment.

As for all Horological pieces of art, it is recommended to periodically service your clock. A mechanical masterpiece requires fine oils for the lubrication of the movement. These oils deteriorate over the years. We therefore advise having the movement serviced every 3 to 5 years. Be aware that the optimal period between servicing times can vary depending on the surrounding environmental conditions.

It is recommended not to hold Sherman only by the helmet or the arms.

Do not roll Sherman too quickly forward or backward, which could result in the caterpillar tracks disengaging from the rollers.

WINDING THE MOVEMENT

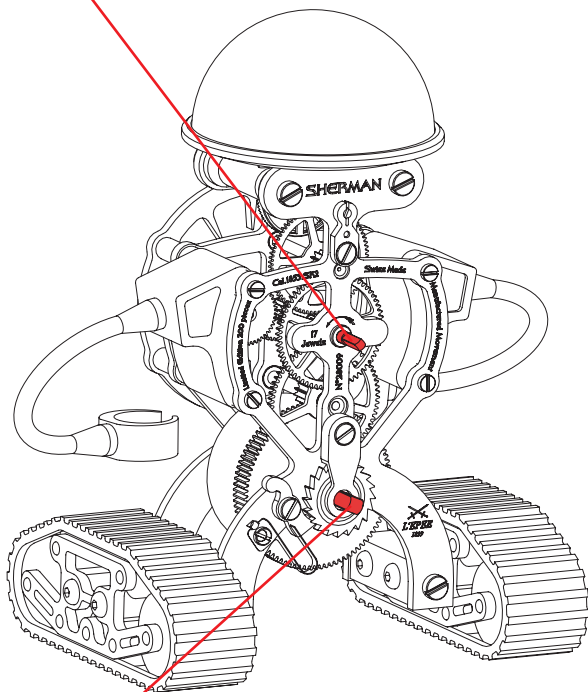
With the dedicated key, wind the movement with anti-clockwise rotations: See point A on the diagram below.

The movement should be fully wound every 8 days. Be sure to wind up the spring completely. At the end of the winding procedure, you will feel the necessary force increase significantly; do not wind further as this is the sign that the movement is fully wound.

SETTING TIME

Insert the key in point B on the diagram and turn the key in order to set the time.

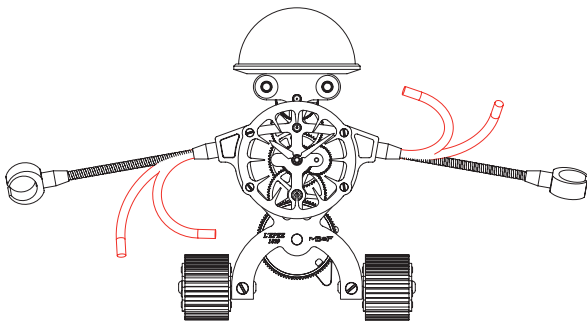
B
Time setting



A
Winding
anti-clockwise only

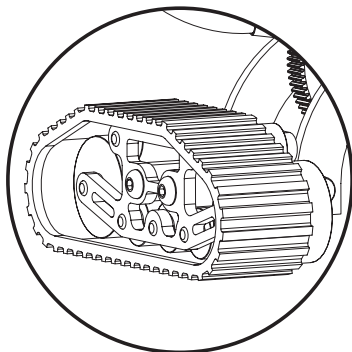
SHERMAN'S ARMS

Be careful when moving the arms of Sherman to not touch the movement or any other metallic part: his hands may scratch other parts of the movement or damage themselves.



THE TWO CATERPILLAR TRACKS OF SHERMAN

Do not push too hard or too fast on the top or back of Sherman to move it forward or backward. A sharp turn could result in the caterpillar tracks disengaging from the rollers. If this happens, push Sherman forward in a straight line and the caterpillar track should automatically return to their normal position on the rollers.



CLEANING THE CATERPILLAR TRACKS

To clean the caterpillar tracks always use gloves. Remove a caterpillar track by placing your finger between the roller and the caterpillar track, and then gently pull it out. Clean it with soapy water and let it air dry. To put it back on, stretch the caterpillar track between the two biggest rollers to place it approximately, and push Sherman forward in a straight line; the caterpillar track should automatically return to its normal position on the rollers.

L'Épée Manufacture

Rue St-Maurice 1 - P.O. Box 973

2800 Delémont

Switzerland

Tel. +41 (0)32 421 94 00

After Sales Services:

Tel. +41 (0)32 421 94 05

www.lepee-clock.ch