

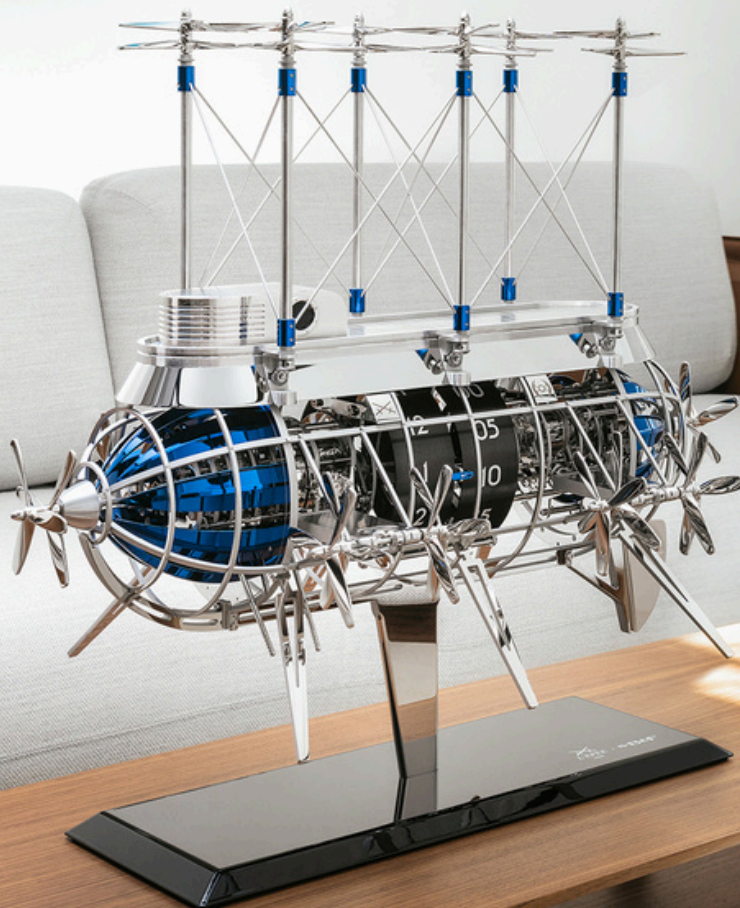
ALBATROSS

L'EPÉE 1839 X MB&F

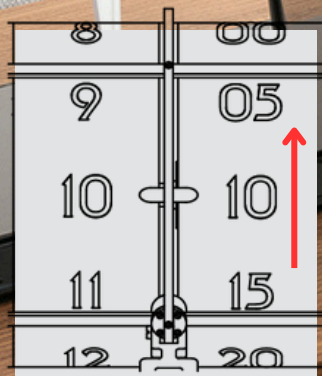
INSPIRATION

After 10 years and 15 different clocks, the L'Epée 1839 X MB&F Albatross is by far the most technically audacious co-creation by the two companies. Totalling a whopping 1520 components, Albatross features a striking hour function – chiming both the specific hours on the hour and a single strike on the half-hour – and an automaton composed of 16 pairs of propellers that launch into action every hour.

Albatross was inspired by the “Albatross” airship in Jules Verne’s novel Robur the Conqueror, but also more generally by the rockets and hot air balloons imagined by the French author, who had a fascination for flying objects.

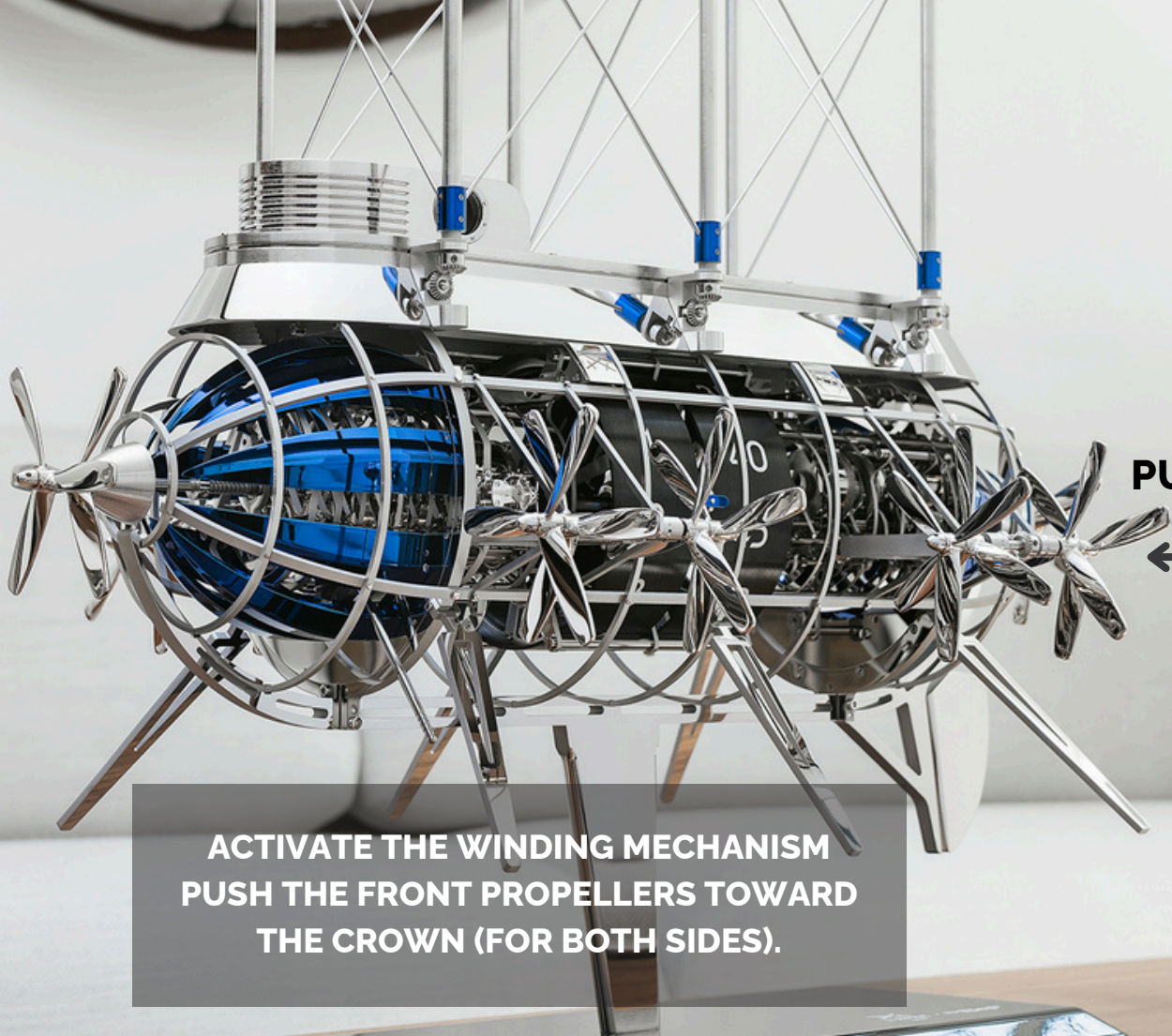
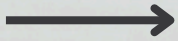


- 1520 COMPONENTS
- 16 PAIRS OF PROPELLERS THAT LAUNCH INTO ACTION EVERY HOUR
- STRIKING HOURS ON ON THE HOUR
- SINGLE STRIKE ON THE HALF-HOUR
- 4 YEARS OF DEVELOPMENT



TO SET THE TIME, GENTLY TURN THE MINUTES CYLINDER CLOCKWISE (TOWARDS THE TOP) UNTIL THE CORRECT TIME IS SET.

PUSH



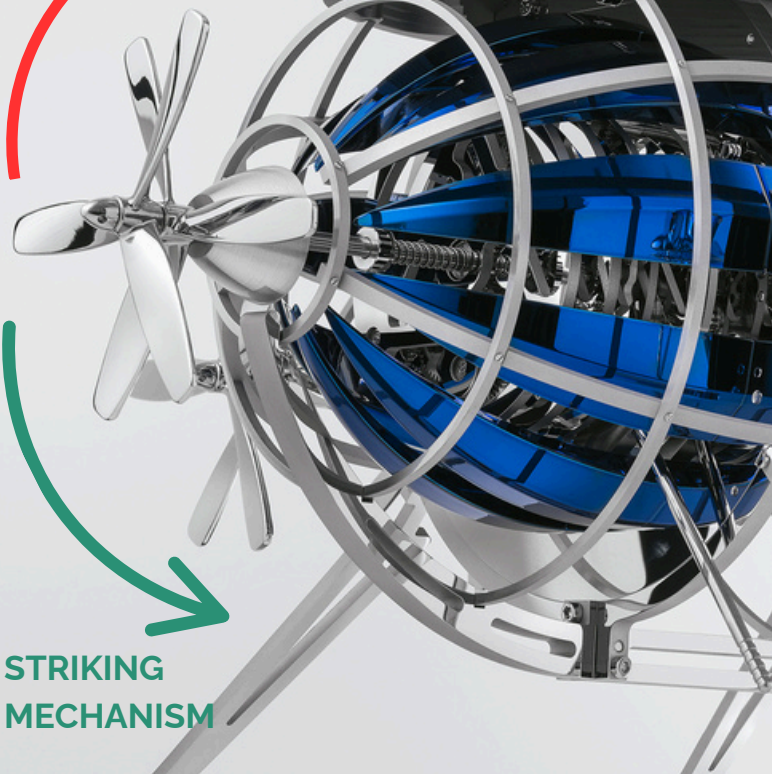
PUSH



**ACTIVATE THE WINDING MECHANISM
PUSH THE FRONT PROPELLERS TOWARD
THE CROWN (FOR BOTH SIDES).**

L

**TIMEKEEPING
MECHANISM**



**STRIKING
MECHANISM**

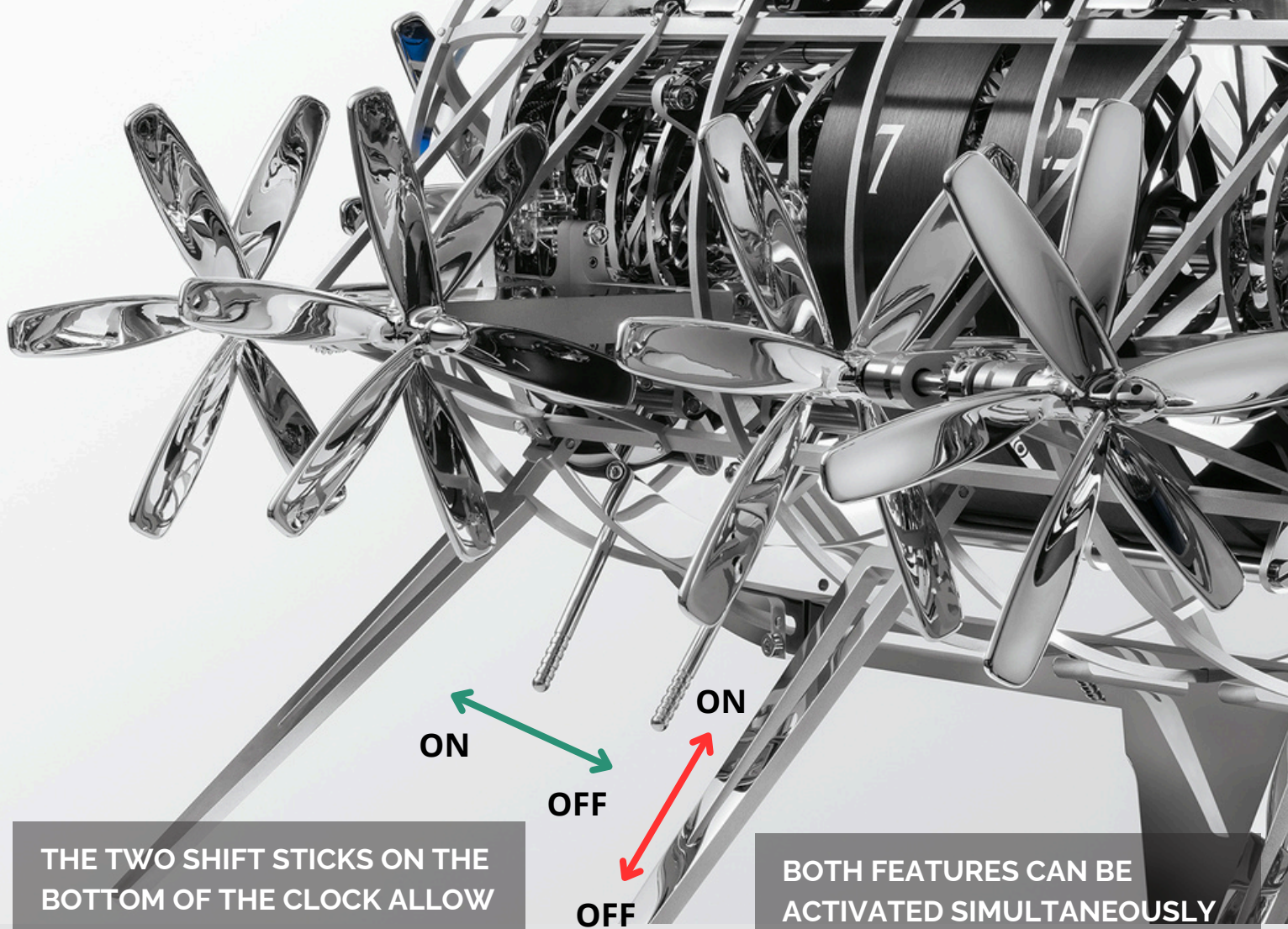


R



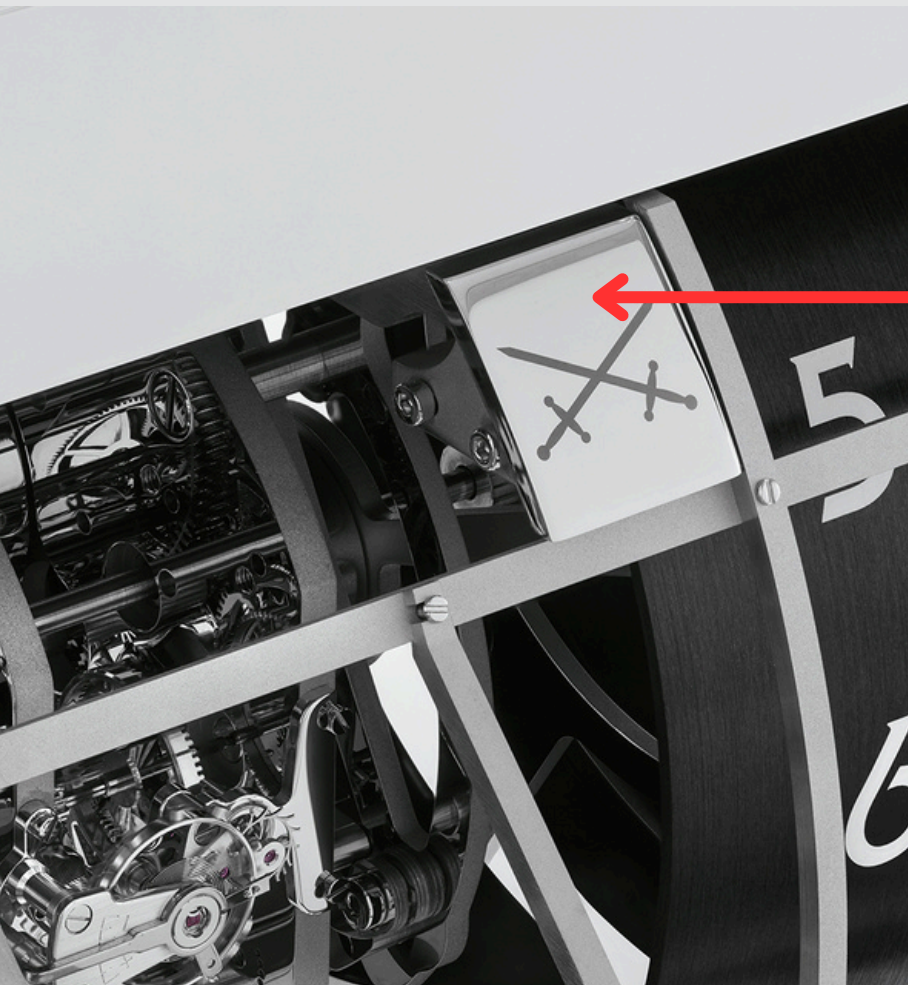
ANIMATION



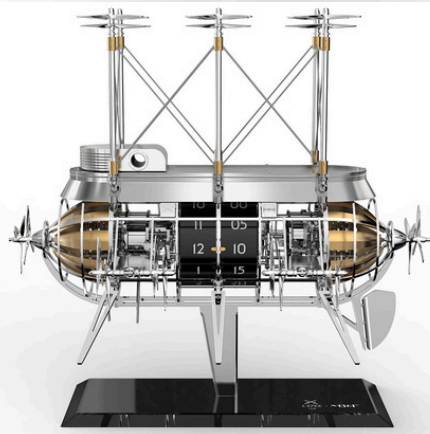
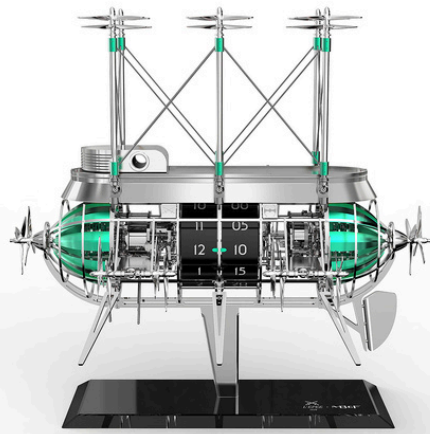
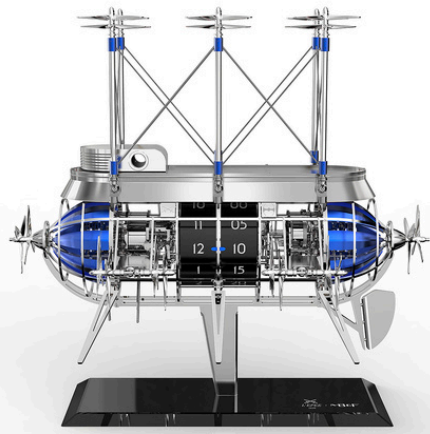
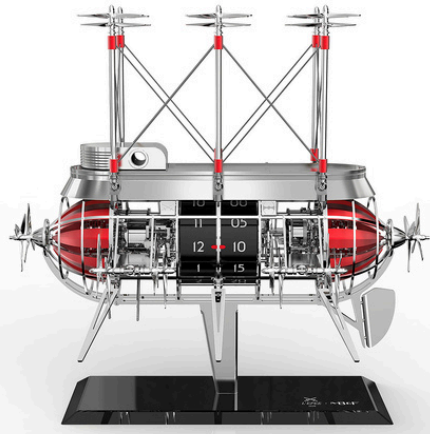
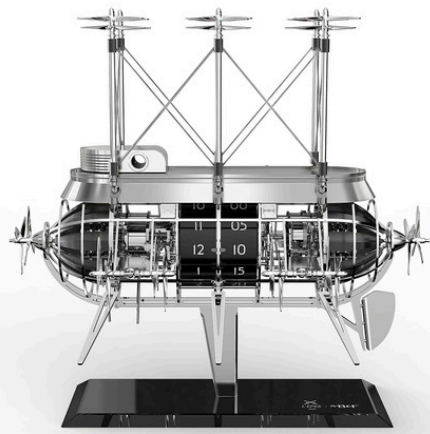


THE TWO SHIFT STICKS ON THE BOTTOM OF THE CLOCK ALLOW YOU TO ACTIVATE THE **STRIKING HOUR** AND THE **ANIMATION**.

BOTH FEATURES CAN BE ACTIVATED SIMULTANEOUSLY OR INDEPENDENTLY FROM EACH OTHER.



PUSH THE ON DEMAND BUTTON TO REPEAT THE STRIKING HOUR AND/OR ACTIVATE THE ANIMATION OF THE PROPELLERS. THE FUNCTION DEPENDS ON THE POSITION OF THE SHIFT STICKS



ALBATROSS

L'Epée 1839 X MB&F

Limited Edition

8 pieces per color: Blue, Red, Green, Champagne and Black

Movement

Two separate movements and winding systems

Designed and manufactured in-house by L'Epée 1839; one powers the time and striking hour, the other provides the energy for the automaton (propellers).

Movements finishing: mix of satin and polish.

Time and striking hour movement

In-line 8-day power reserve movement

Balance frequency: 2.5 Hz / 18,000 bph

Jewels: 11

Dimensions and Weight

600mm long x 350mm wide x 600mm high

Weight: 17kg

Body/frame

The clock is made from a mix of brass, steel, and aluminium.

Colours: translucent cold lacquer in blue, red, green, champagne or black